



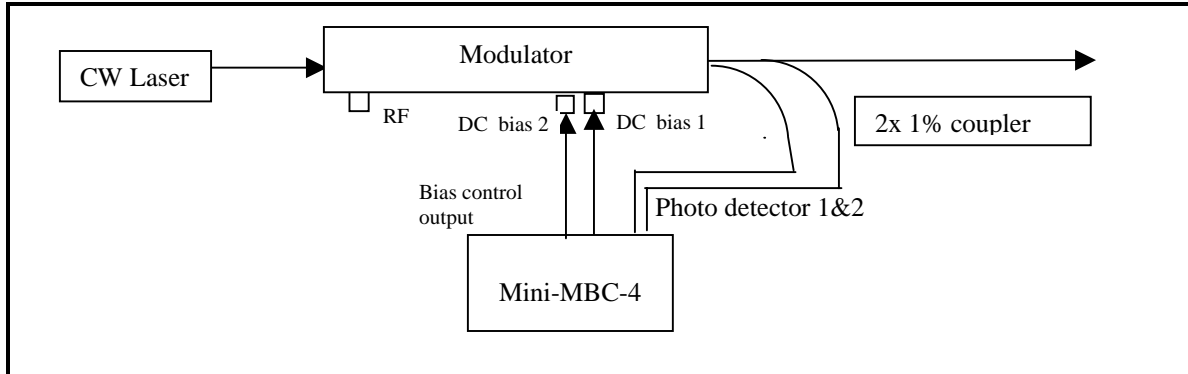
Dual-port Modulator Bias Controller Specification

Mini-MBC-4 (Ver_2.0)

PARAMETERS	MIN	TYP	MAX	UNITS
Optical Performance				
Detector Input Power ¹	-25		-5	dBm
Optical wavelength	1000		1650	nm
Electrical Performance				
Bias voltage	-14		14	V
Null Mode Extinction Ratio ²		52		dB
Locking Slope	Positive			
Locking Mode	Null			
Pilot tone				
Modulation Depth (Null)			0.1	%
Pilot Tone Frequency (NULL)		2K		Hz
Power Supplies				
Positive Power Voltage	16	16.5	17	V(DC)
Negative Power Voltage	-16	-16.5	-17	V(DC)
Positive Power Current		70		mA(DC)
Negative Power Current		50		mA(DC)
General				
Operating temperature	0		70	Degree C
Storage Temperature	-40		+85	Degree C
Dimension	1.6x2.7x0.65 inch			
Weight	0.2 lb			

1. For a given input, detection power refers to the coupled optical power to both photodiodes of Mini-MBC-4 when the modulator output is at its minimum attenuation (The detection power does not describe the detected power at locking status).
2. In this case, the modulator output power was greater than 0 dBm. 1% coupler was used. The distinction ratio will be close but not exceed the distinction ratio of the modulator.
3. Optical Modulation Index = amplitude of modulation/ V_{π} .

Typical Analog Applications



Configuration for Mini-MBC-4